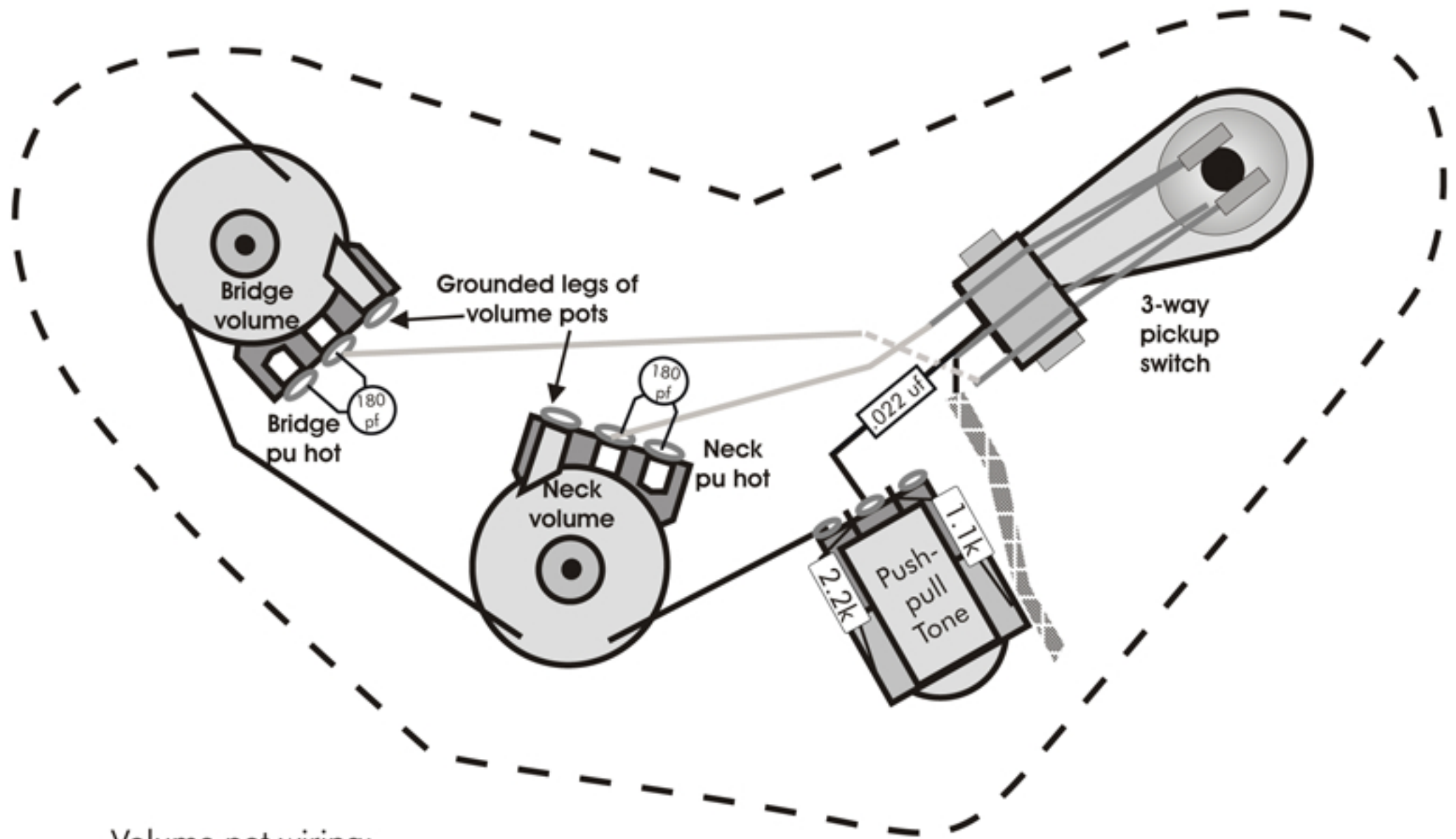
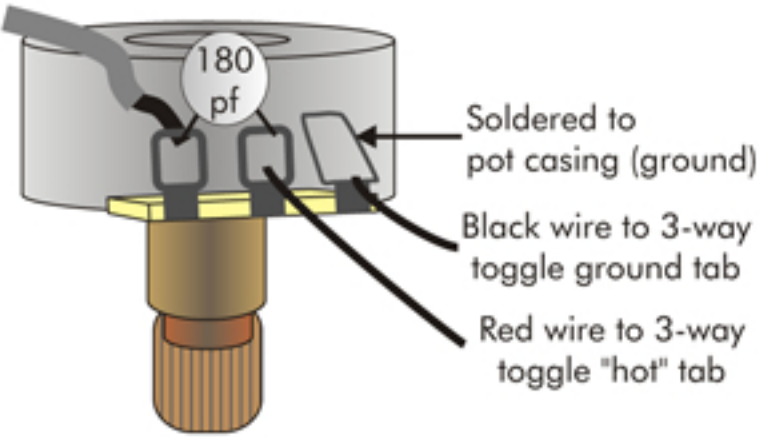


David Grissom - 2012

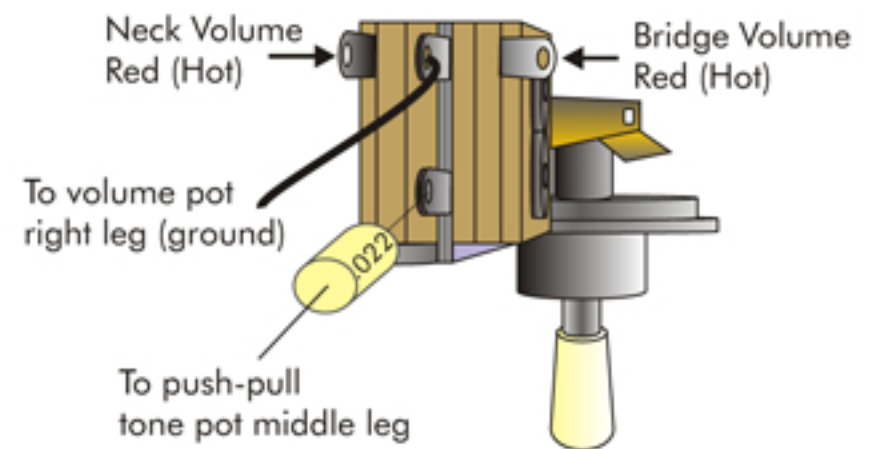


Volume pot wiring:

Pickup Hot -
Harness soldered to
pot casing (ground)



3-way pickup selector switch:



Push-pull tone pot:

